

Technics

Stereo Cassette Deck

RS-B965

OPERATING INSTRUCTIONS



Notes:

- Specifications differ according to the area code.
- The "EB" area code, for example, indicates United Kingdom specifications.
- The "EB" indication is shown on the packing case and serial number tag.

Before operating this unit, please read these instructions completely.

E	EB
GC	GN

Dear Stereo Fan

We want to thank you for selecting this product and to welcome you to the growing family of satisfied Technics product owners around the world. We feel certain you will get maximum enjoyment

from this new addition to your home. Please read these operating instructions carefully, and be sure to keep them handy for convenient reference.

Contents

● Suggestions for Safety	2	● Recording with High Tone Quality	15
● For United Kingdom	3	● Timer Recording/Playback	19
● Accessories	3	● After Recording	20
● Before Use	3	● About Cassette Tapes	20
● Connections	4	● Maintenance	21
● Front Panel Controls and Functions	5	● Technical Specifications	21
● Playback	8	● Troubleshooting Guide	22
● Recording	12		

Suggestions for Safety

■ Use a standard AC wall outlet

1. Use from an AC power source of high voltage, such as for an air conditioner, is very dangerous.

There is the possibility that a fire might be caused by making such a connection.

2. A DC power source cannot be used.

Be sure to check the power source carefully, especially on a ship or other place where DC is used.

■ Grasp the plug when disconnecting the power supply cord

1. Wet hands are dangerous.

A dangerous electric shock may result if the plug is touched by wet hands.

2. Never place heavy items on top of the power supply cord, and never force it to bend sharply.

■ Place the unit where it will be well ventilated

Place this unit at least 10 cm (4") away from wall surfaces, etc.

■ Avoid places such as the following:

In direct sunlight or in other places where the temperature is high.

In places where there is excessive vibration or humidity. Such conditions might damage the cabinet and/or other component parts and thereby shorten the unit's service life.

■ Be sure to place the unit on a flat, level surface

If the surface is inclined, a malfunction may result.

■ Never attempt to repair or reconstruct this unit

A serious electric shock might occur if this unit is repaired, disassembled or reconstructed by unauthorized persons, or if the internal parts are accidentally touched.

■ Take particular care if children are present

Never permit children to put anything, especially metal, inside this unit. A serious electric shock or malfunction could occur if articles such as coins, needles, screwdrivers, etc. are inserted through the ventilation holes, etc. of this unit.

■ If water is spilled on the unit

Be extremely careful if water is spilled on the unit, because a fire or serious electric shock might occur. Immediately disconnect the power cord plug, and consult with your dealer.

■ Avoid spray-type insecticides

Insecticides might cause cracks or "cloudiness" in the cabinet and plastic parts of this unit. The gas used in such sprays might, moreover, be ignited suddenly.

■ Never use alcohol or paint thinner

These and similar chemicals should never be used, because they might cause flaking or cloudiness of the cabinet finish.

■ Disconnect the power supply cord if the unit will not be used for a long time

If the unit is left for a long time with the power ON, this will not only shorten its useful operation life, but may also cause other troubles.

■ If trouble occurs

If, during operation, the sound is interrupted or indicators no longer illuminate, or if abnormal odor or smoke is detected, immediately disconnect the power cord plug, and contact your dealer or an Authorized Service Center.

For United Kingdom

("EB" area code model only)

The "EB" indication is shown on the serial number tag.

Important

THE WIRES IN THIS MAINS LEAD ARE COLOURED IN ACCORDANCE WITH THE FOLLOWING CODE.

BLUE: NEUTRAL

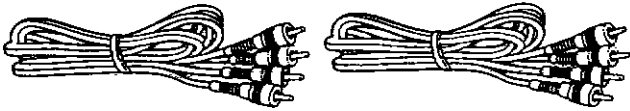
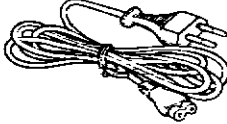
BROWN: LIVE

As the colours of the wires in the mains lead of this apparatus may not correspond with the coloured markings identifying the terminals in your plug proceed as follows. The wire which is coloured BLUE must be connected to the terminal which is marked with the letter N or coloured BLACK.

The wire which is coloured BROWN must be connected to the terminal which is marked with the letter L or coloured RED.

This apparatus was produced to BS 800.

Accessories

• Stereo connection cables	2	• AC power supply cord	1
			

The configuration of the AC power supply cord differs according to area.

Placements hints

If this unit is placed near a receiver or a tuner, a "hum" noise may be heard during tape playback, recording, or AM reception of the receiver or the tuner.

If this occurs, leave as much space as possible between the units, or place them where there is the least amount of "hum".

Note:

This unit is a precision instrument. Be sure to place it on a flat surface.

Before Use

Be sure to disconnect the mains cord before adjusting the voltage selector.

Use a minus (-) screwdriver to set the voltage selector (on the rear panel) to the voltage setting for the area in which the unit will be used.

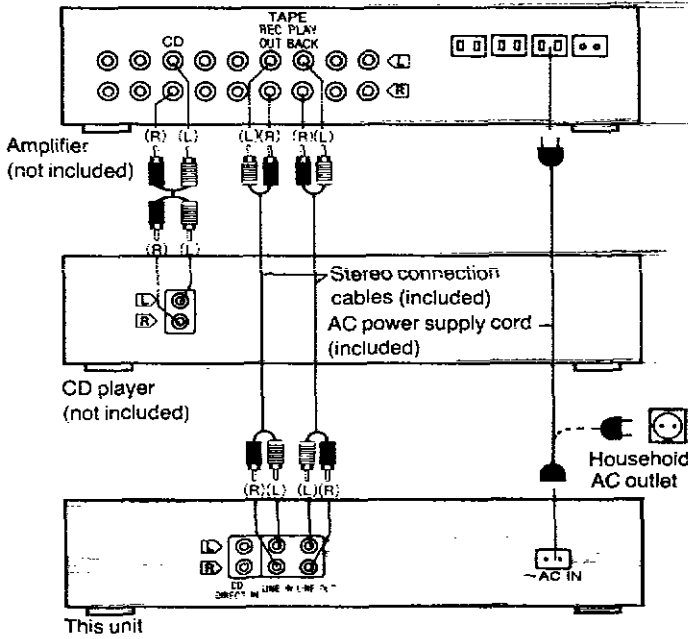
(If the power supply in your area is 117 V or 120 V, set to the "127 V" position.)

Note that this unit will be seriously damaged if this setting is not made correctly. (There is no voltage selector for some countries; the correct voltage is already set.)

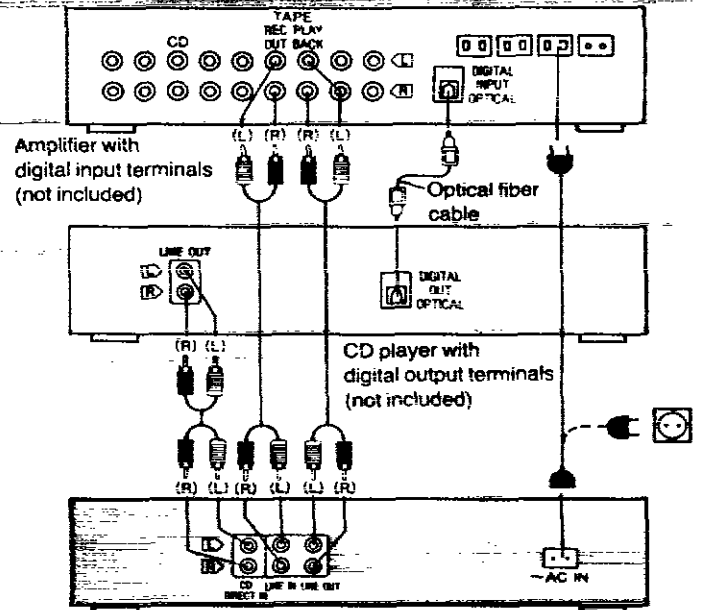
Connections

Follow the figures below to connect the unit with other units. Make sure that the power has been turned off to the units while they are being connected.

1 Regular connections

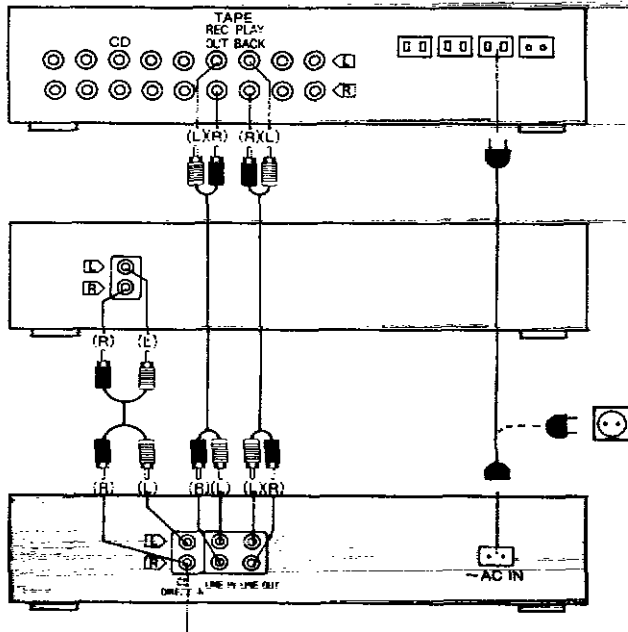


2 When there are 2 sets of CD player output terminals



Note:
This connection diagram applies for a CD player equipped with digital output terminals. If the CD player is provided with 2 sets of analog output terminals, connect one set to the CD analog input terminals on the amplifier. These connections obviate the need to change any of the connections for CD direct recording.

Direct recording from CD player



CD direct input terminals

Note:
Return to the regular connections upon completion of the recording.

CD direct recording

Direct connection between the CD player and CD direct input terminals on the stereo cassette deck enables the line output signals from the CD player to be connected by the shortest possible route without passing them through the amplifier. As a result, the high-range loss and cross talk can be improved.

In addition, the signal-to-noise ratio can also be enhanced since the input sensitivity of the CD direct input terminals is set in accordance with the output level of the CD player and is lower than the line input terminals.

Note:
The configuration of the AC outlet and AC power supply cord differs according to area.

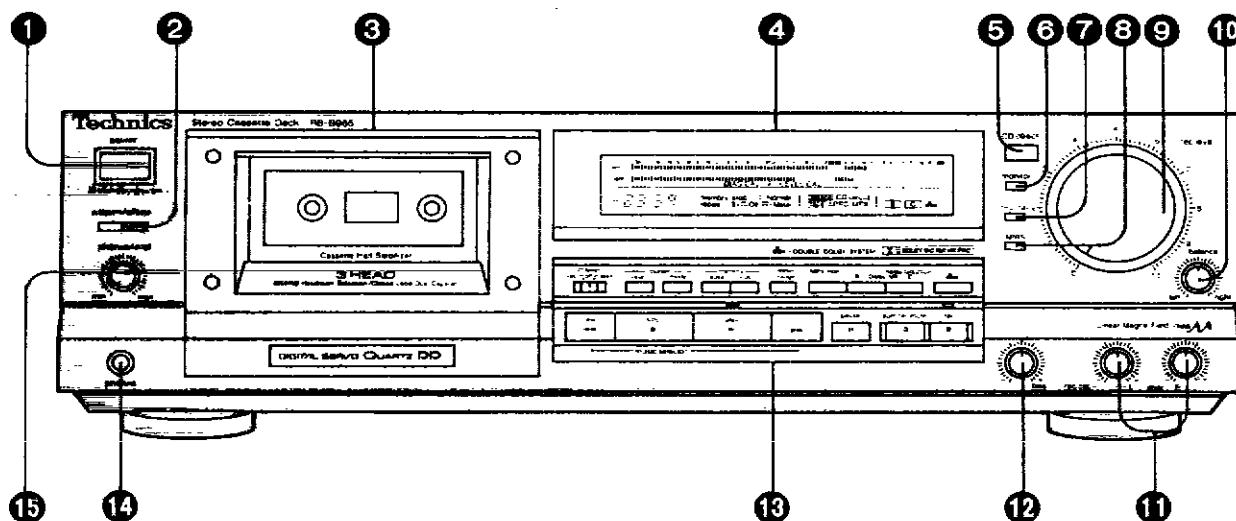
For United Kingdom

Household AC outlet


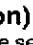
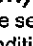



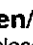
Fit a suitable plug to the AC power supply cord.

Front Panel Controls and Functions



Control section I

- 1 Power "standby  /on" switch (power/ standby  on)**

This switch switches ON and OFF the secondary circuit power only. The unit is in the "standby" condition when this switch is set to the standby  position. Regardless of the switch setting, the primary circuit is always "live" as long as the power cord is connected to an electrical outlet.
- 2 Open/close button ( open/close)**

This button can be used to open or close the cassette holder.
- 3 Cassette holder**
- 4 Display section**
- 5 CD direct button (CD direct)**

This button enables direct input for the signals from the CD player connected to this unit.
- 6 Monitor switch (monitor)**

In order to monitor the tape (check the recording condition), the sound on the tape (immediately after recording) and the sound of the sound source (the original sound, before recording) can be alternately selected by pressing this button. (The corresponding indicator will illuminate.)
- 7 Calibration selector (rec cal.)**

This selector can switch the input level display between the level adjustment indicator and bias adjustment indicator.
- 8 APRS button (APRS)**

This button can be used to hold the peak level while monitoring the input sound. (Refer to page 15.)
- 9 Recording-level control (rec level)**

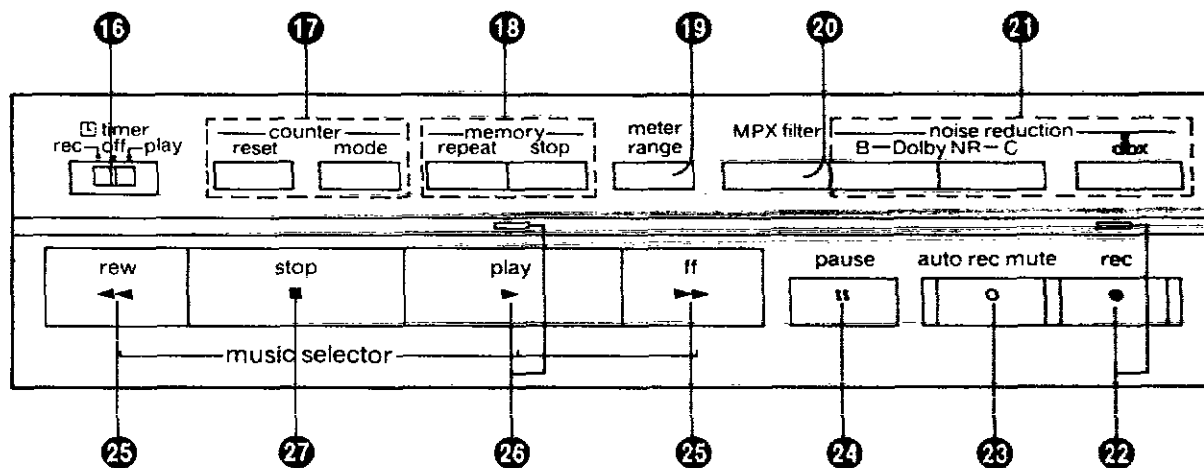
This control can be used to regulate the recording level and the peak level.
- 10 Recording-balance control (balance)**

This control can be used to balance the left and right sound levels during recording.
- 11 Calibration-level control (rec cal. level)**

The sensitivity differences (high or low recording levels) for each tape type can be corrected by using these controls.
- 12 Calibration-bias control (rec cal. bias)**

The frequency response for each tape type can be equalized by using this control.
- 13 Operation section**
- 14 Headphones jack (phones)**
- 15 Headphones volume control (phones level)**

Front Panel Controls and Functions (continued)



Control section II

16 Timer switch (☐ timer)

This switch is used to automatically begin a tape recording or tape playback at a certain time, selected by a timer (not included). (Refer to page 19.)

17 Counter buttons (counter reset/mode)

reset: This button can be used to reset the tape/linear counter indication to "000."/"/"00.00".

mode: This button can be used to select the tape/linear counter indication.

18 Memory-mode buttons (memory repeat/stop)

repeat: This button can be used to set this unit to the "A-B repeat" mode. (Refer to page 11.)

stop: This button can be used to rewind the tape to the preset "0000" point when the rewind (◀◀) button is pressed. (Refer to pages 10 and 13.)

19 Meter-range selector (meter range)

This selector can be used to select the meter-range display of the input level meter.

20 Multiplex filter switch (MPX filter)

This switch prevents the Dolby circuit from operating in error when FM stereo broadcasts are recorded using the noise reduction function.

21 Noise-reduction buttons (noise reduction)

These buttons can be used to reduce the hiss noise that is characteristic of tape. This unit is provided with both the Dolby B NR-type and C NR-type, and dbx noise-reduction systems.

22 Record button and indicator (rec/●)

23 Automatic-record-muting button (auto rec mute/◻)

This button can be used to make a silent interval on the tape being recorded on tape deck.

24 Pause button (pause/||)

25 Rewind/fast-forward/search buttons (rew/◀◀, ff/▶▶)

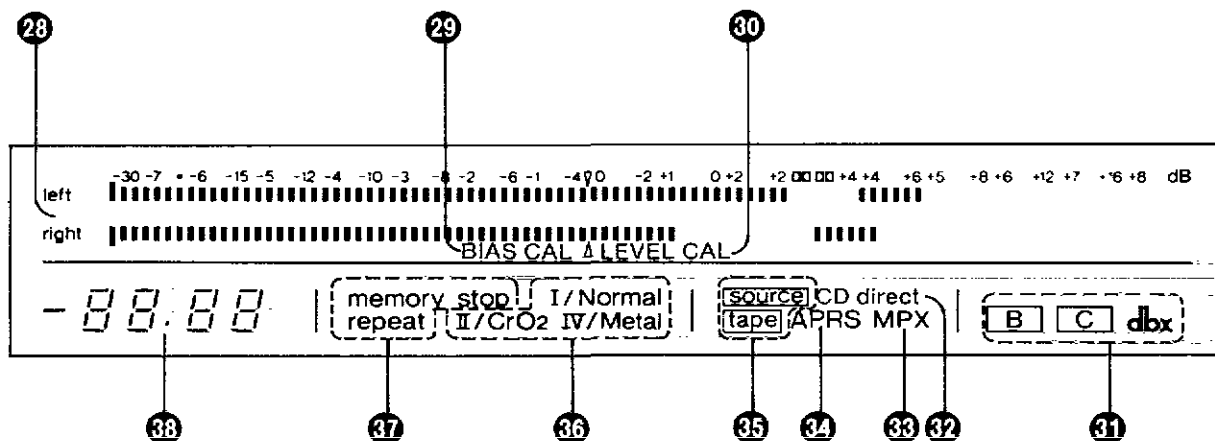
These buttons can be used to fast forward or rewind the tape, or to easily search for the tune's beginning of the tape quickly.

26 Playback button and indicator (play/▶)

This button can be used to start the playback or recording of the cassette.
(The tape will then begin moving in the left-to-right direction.)

When this indicator illuminates steadily, it indicates that this tape deck is in the playback mode or the recording mode. When it flashes continually, this is an indication that this tape deck is in the pause mode or the recording stand-by mode.

27 Stop button (stop/■)

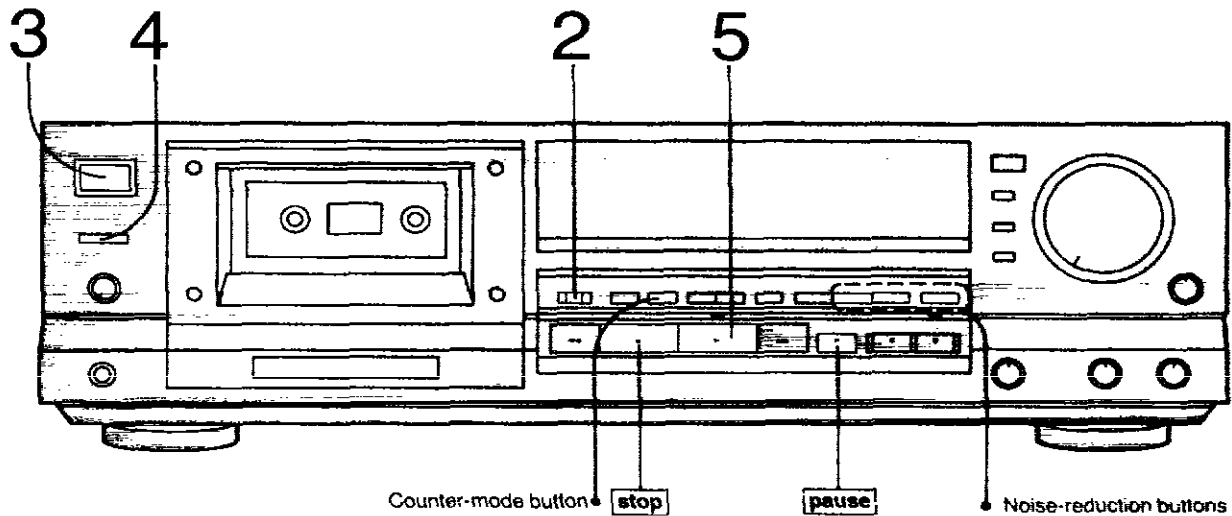


Indicators section


- 28 Input level meter**
During playback, this meter indicates the level of the recorded sound.
During recording, it indicates the level being recorded, adjusted by the recording-level control.

During calibration, it switches between the bias adjustment indicator and level adjustment indicator.
- 29 Bias adjustment indicator (BIAS CAL)**
Indicates that the bias can now be adjusted.
- 30 Level adjustment indicator (LEVEL CAL)**
Indicates that the recording level can now be adjusted.
- 31 Noise-reduction Indicators (B, C, dbx)**
One of these indicators illuminates to show the type of noise-reduction system selected by pressing one of the noise-reduction buttons.
- 32 CD direct Indicator (CD direct)**
Indicates that direct input is possible for the signals from the CD player connected to this unit.
- 33 Multiplex filter indicator (MPX)**
Illuminates to indicate that the multiplex filter is set to "on".
- 34 APRS Indicator (APRS)**
Illuminates to indicate that the "APRS" is set to "on" in the recording stand-by mode.
- 35 Monitor indicators (source/tape)**
Each indicator illuminates to show which of the monitor was set by the monitor switch.
- 36 Tape-select indicators**
The type of tape being used will be automatically detected and the indicator will illuminate.
- 37 Memory-mode Indicators (memory repeat/stop)**
Each indicator illuminates to show which of the memory mode was set by the memory-mode buttons.
- 38 Tape/Linear counter**
Indicates the amount of tape movement or elapsed time.

Playback



Normal play

- 1 Switch the amplifier ON, and select its "tape" input source.
- 2 Switch OFF the timer switch.
- 3 Switch ON the power "standby \odot /on" switch.
- 4 Press the open/close button to open the cassette holder, and then insert the cassette tape.
(The part of the cassette where the tape is exposed should face downward.)

- 5 Press the playback button.
(The playback indicator will illuminate, and playback will begin.)
 - You can close the cassette holder and begin the playback automatically, when pressing the playback, fast-forward or rewind button before pressing the open/close button to close the cassette holder.

■ To temporarily stop playback

Press the pause button.

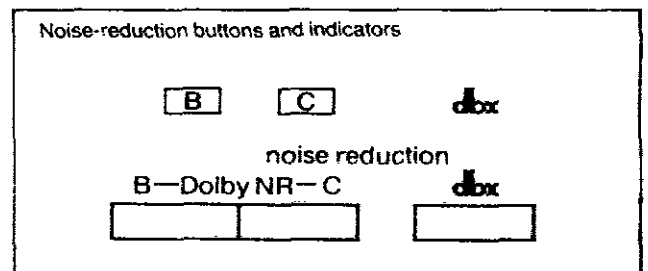
(The playback indicator will begin flashing.)
To resume playback, press the playback button.

■ To stop playback

Press the stop button.

(The playback indicator will switch OFF.)

■ To listen to a noise-reduction recorded tape



Press the button which corresponds to the type of noise reduction which was activated during recording.
(The noise reduction indicator will illuminate.)

- To switch OFF the noise-reduction system, press the button corresponding to the noise-reduction indicator that is illuminated.
(The indicator will then switch OFF.)

■ About the Dolby noise-reduction recording/playback system

The Dolby noise-reduction system is a system designed to effectively reduce the annoying high-frequency "hissing" noise typically heard from tapes if this system is not used. During recording, the system functions to increase the level of the high-frequency part of the sound, and then, during playback, that same portion is weakened and returned to the previous level. This unit includes two types of Dolby noise-reduction systems, the Dolby B NR-type and C NR-type, and Dolby HX PRO headroom extension system.

Dolby B-type noise-reduction system

Noise is reduced to about one-third.

Use this system when playing back tapes recorded by the Dolby B noise-reduction system, such as prerecorded music tapes, etc.

Dolby C-type noise-reduction system

Noise is reduced to about one-tenth.


Use this system for the recording and playback of sound sources that have a wide dynamic range and good tone quality, such as FM broadcasts of live performances, etc., and for playing back such tapes.

Dolby HX PRO headroom extension system

By functioning to improve the maximum output level of the tape's high-frequency range, this system permits recordings without a drop of the level of the sound source's high-frequency range. In addition, by using the system in parallel with this unit's noise-reduction system, recording and playback with a greatly extended dynamic range is possible.

■ dbx noise-reduction system

With this noise-reduction system, "hiss" noise is reduced to about 1/50. This system is particularly suitable for the recording and playback of live FM broadcasts and other sound sources with high tone quality and a wide dynamic range.

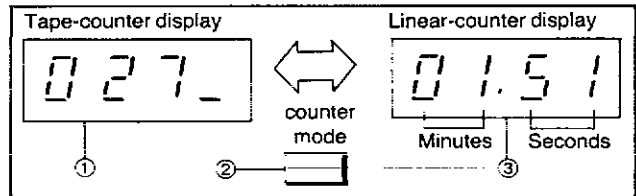
- Dolby noise reduction and HX Pro headroom extension manufactured under license from Dolby Laboratories Licensing Corporation. HX Pro originated by Bang & Olufsen.
- "DOLBY", the double-D symbol  and "HX PRO" are trademarks of Dolby Laboratories Licensing Corporation.
- The term dbx is a registered trademark of dbx Inc.

Tape/Linear counter display

The counter-mode button can be pressed to select either of the counter-display modes (see below): the tape-counter display or the linear-counter display.

(Note that the linear-counter display appears when the power is switched ON.)

When the counter-reset button is pressed, "0000" is reset, regardless of the setting of the counter-mode button.



① This display shows the amount of tape movement as a series of consecutive numbers.

② The display changes alternately each time the counter-mode button is pressed.

③ This display shows the amount of tape movement as expressed minutes and seconds.

•The linear-counter display is particularly convenient when you want to know how much time is remaining for a tune now playing or you want to know how much recording time is remaining.

Notes:

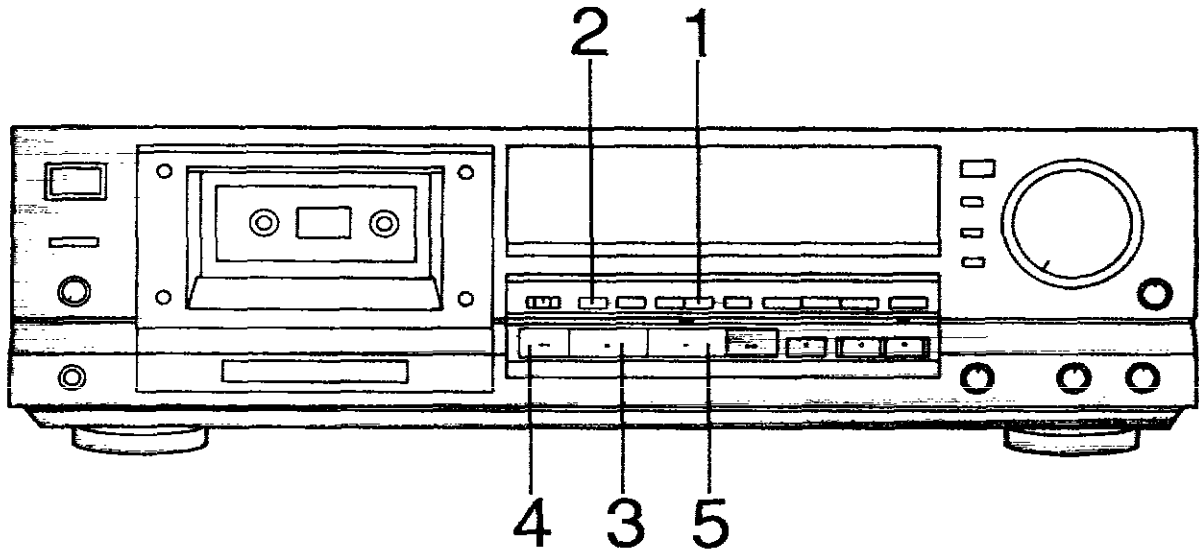
•The counter reading will return to "0000" when the power is switched OFF.

•The linear counter of this unit does not function as a clock. Depending on the length of the tape used, the diameter of the cassette's hubs, etc., there may be a difference between the time displayed by the counter and the actual recording or playback time.

<Difference when an ordinary tape is played on one side from beginning to end>

Cassette type	Approx. difference
C46 (large hub), C60, C90	-30~+30 seconds
C46 (small hub)	+2 or 3 minutes

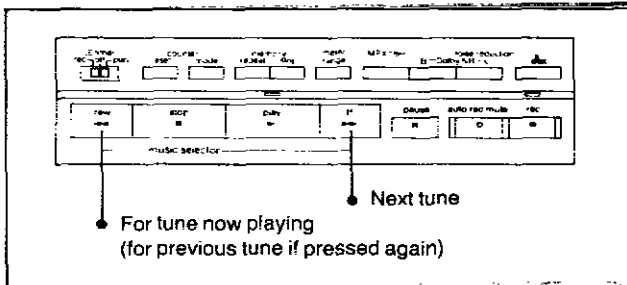
Playback (continued)



Tolocate and play a certain tune

■ To find a tune's beginning ("music select" function)

Press the rewind/fast-forward/search button during playback. After the tune's beginning is located, the tune will begin playing. (The playback indicator will flash rapidly while the tune's beginning is being located.)



To locate a certain tune that is several tunes before (or after) the tune now playing, repeat the same steps as many times as necessary.

Note:

Note that this feature might not function correctly under the following circumstances:

- If there is noise between tunes.
- If the silent interval between tunes is less than 3 seconds.
- If there is a particularly low level of sound, or a silent interval, at any place within the tune.
- If less than 10 seconds elapse until the start of the next tune.
- If a tape has been recorded with fade-ins and fade-outs.

Music select system manufactured under license of Starr S.A., Bruxelles, Belgium.

■ To fast-forward or rewind the tape

While in the STOP mode, press the fast-forward (▶▶) button or the rewind (◀◀) button.

Playback after "memory stop"

The tape is rewound to the designated point and then play can be begun from that point.

■ To set the playback start point

1 Press the memory stop button and then begin the playback.

(The memory stop indicator will illuminate.)

2 Press the counter-reset button at the point to which you want the tape to rewind.

(The counter will be reset to "0000".)

■ To begin playback from the set point

3 Press the stop button.

4 Press the rewind (◀◀) button.

The tape will be rewound to the set point, and then will be automatically stopped.

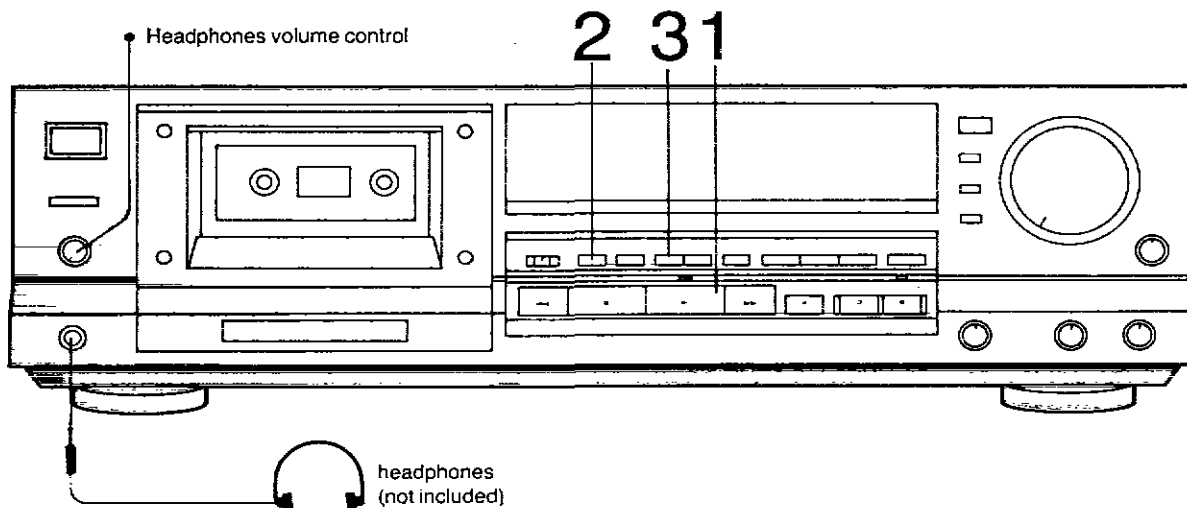
5 Press the playback button to begin the playback once again.

▶ To cancel the "memory stop" function, press the memory-stop button once again.

(The memory-stop indicator will be switched OFF.)

Notes:

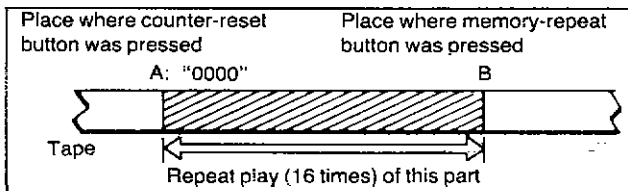
- The "memory stop" function can be used while either the tape counter or the linear counter is displayed, but a change from one to the other cannot be made during the "memory stop" mode.
- There may be a slight difference (maximum +4 seconds) between the point where the tape counter was reset and the point where the tape actually stops during rewind.



A ↔ B repeat play ("memory repeat")

By simply designating the beginning ("0000") and the end of the part that you want to play repeatedly, that part can be repeatedly played for as many as 16 times. (This repeat-play feature can be used only in the playback mode.)

- 1 Press the playback button.**
(The playback indicator will illuminate, and playback will begin.)
- 2 Press the counter-reset button at the place (A) where you want the repeat play to start.**
(The counter will be reset to "0000".)
- 3 Press the memory-repeat button at the place (B) where you want the repeat play to end.**
(The memory-repeat indicator will illuminate.)
When the memory-repeat button is pressed, the tape will be rewound to point (A), and the repeat play will then begin.



- ▶ To cancel the repeat-play function before it stops (after 16 repeats), press the memory-repeat button.
(The memory-repeat indicator will switch OFF.)
- ▶ To change the setting of point (B), first cancel the repeat-play operation (see above), and then press the memory-repeat button at the new place.

Notes:

- The repeat-play function will be cancelled if the stop button or the rewind/fast-forward/search button is pressed during repeat play. To stop temporarily, press the pause button.
- There may be a slight difference (maximum ± 4 seconds) between the settings made for points (A) and (B) and the points at which the tape is actually played during repeat play.

To listen through headphones

- 1 Set the headphones volume control to low position before connecting headphones.**
- 2 Connect headphones (not included) to the headphones jack.**
- 3 Use the headphones volume control to adjust the volume while listening to music.**

Plug type: 6 mm (1/4") phone plug, stereo type.

Note:

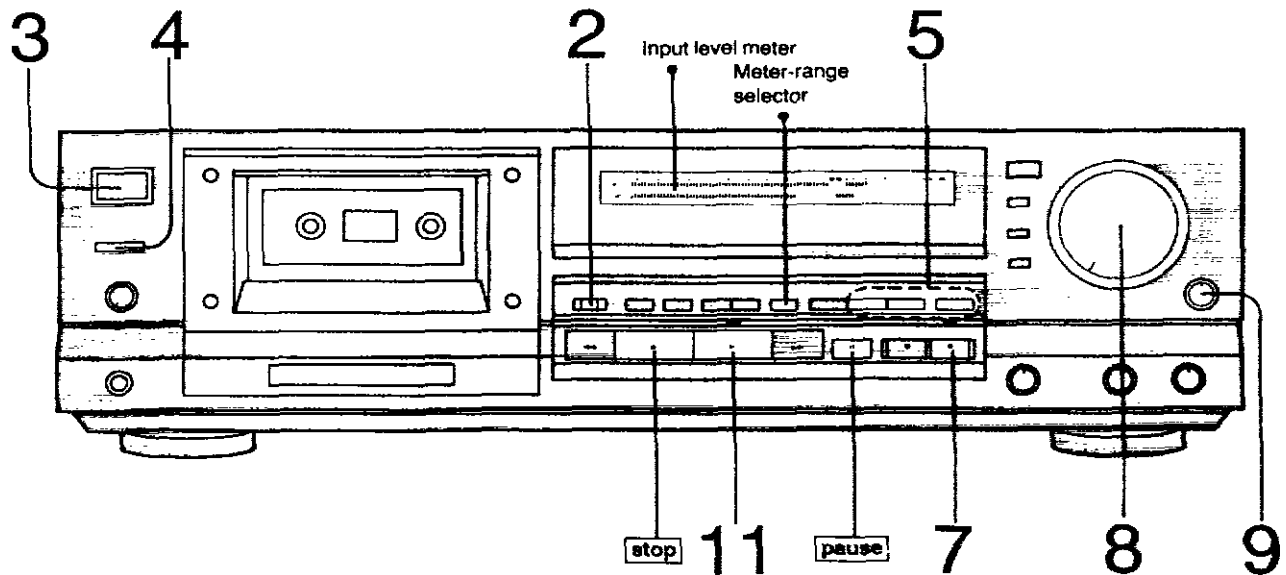
Avoid listening for a long time that it irritates the ears.

Automatic-tape-select function



The unit is equipped with the automatic-tape-select feature; it automatically detects the type of tape being used, and then makes the suitable adjustments accordingly of the bias and equalization. (The tape-select indicator will illuminate.)

Recording


Your attention is drawn to the fact that recording pre-recorded tapes or discs on other published or broadcast material may infringe copyright laws.



Normal recording

- 1 Switch the amplifier ON, and select the input source.
- 2 Switch OFF the timer switch.
- 3 Switch ON the power "standby  /on" switch.
- 4 Press the open/close button to open the cassette holder, and then insert the cassette to be used for recording.
(The part of the cassette where the tape is exposed should face downward.)

- 5 Press the button corresponding to the noise-reduction system to be used.
(The noise-reduction indicator will illuminate.)
If no noise-reduction system is to be used, press the noise-reduction button corresponding to the noise-reduction indicator that is illuminated. (The indicator will then switch OFF.)
- 6 The sound source to be recorded should be played before the recording is started in order to adjust the recording level.
- 7 Press the record button.
(The recording indicator will illuminate and the playback indicator will flash continuously; the unit will be in the recording stand-by mode.)
●When the cassette with no erase-prevention tab is inserted and the record button is pressed, the cassette holder will open automatically.

- 8 Adjust the recording level.
Adjust so that the indication of the input level meter occasionally is as high as shown below.

	Normal tape CrO ₂ tape	Metal tape
●Dolby NR B-C ●NR off	 (+3)	+6
dbx	+5	+8

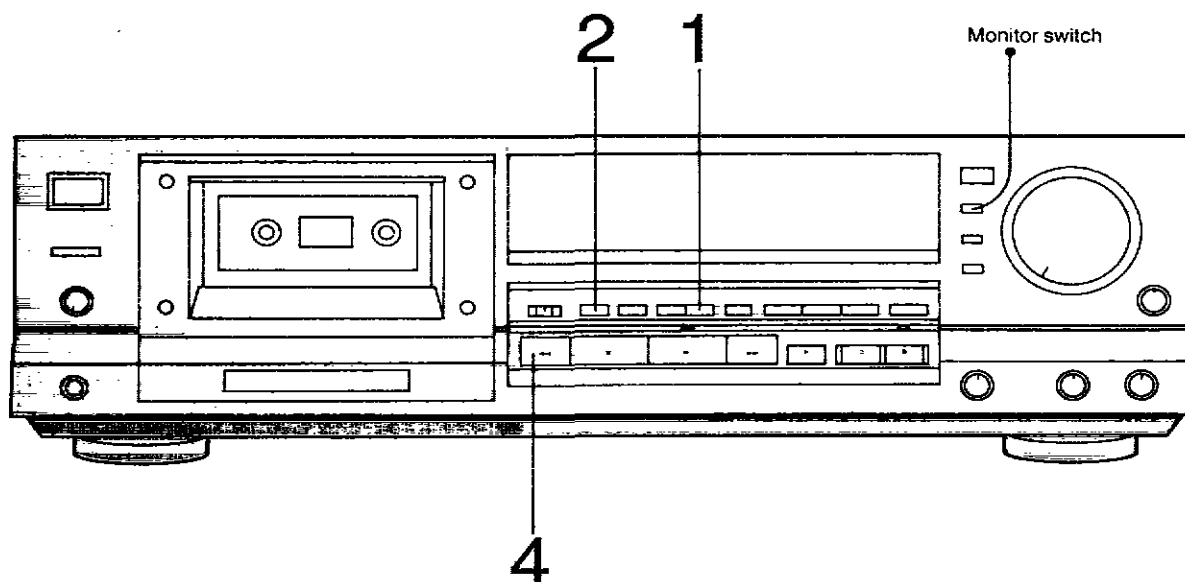
For additional precision of the recording level adjustment

Press the meter-range selector to display -7 to +8 of the input level meter.
(The level will be displayed in 1 dB increments.)

- 9 Adjust the left/right volume balance.
- 10 Stop the play being done so as to adjust the recording level, and begin playing the sound source once again.
- 11 Press the playback button.
(The playback indicator will illuminate steadily, and the recording will begin.)

■ **To temporarily stop recording**
Press the pause button.
(The playback indicator will begin flashing.)
To resume recording, press the playback button.

■ **To stop recording**
Press the stop button.



To monitor a recording

The monitor switch can be used while the recording is in progress to monitor playback sound (to check the recording condition), if this unit is connected to the amplifier that has the tape monitor switch or recording selector.

Set the amplifier's monitor switch or input selector switch (on a model with a separate recording selector switch) to the "tape" position.

The sound being monitored (source sound or recorded sound) can be selected by pressing this button; the selected sound changes ("source" to "tape" to "source", etc.) each time the switch is pressed.

(The corresponding indicator will illuminate.)

- "source": For sound source (input signals)
- "tape": For tape sound (output signals)

Recording after "memory stop"

If the recording start position is memorized at times such as those listed below, the tape can be automatically rewound to that position and recording (or playback) can commence.

- When recording is to be conducted again
- When the calibration has been adjusted (see page 17)
- When a recording is to be played back

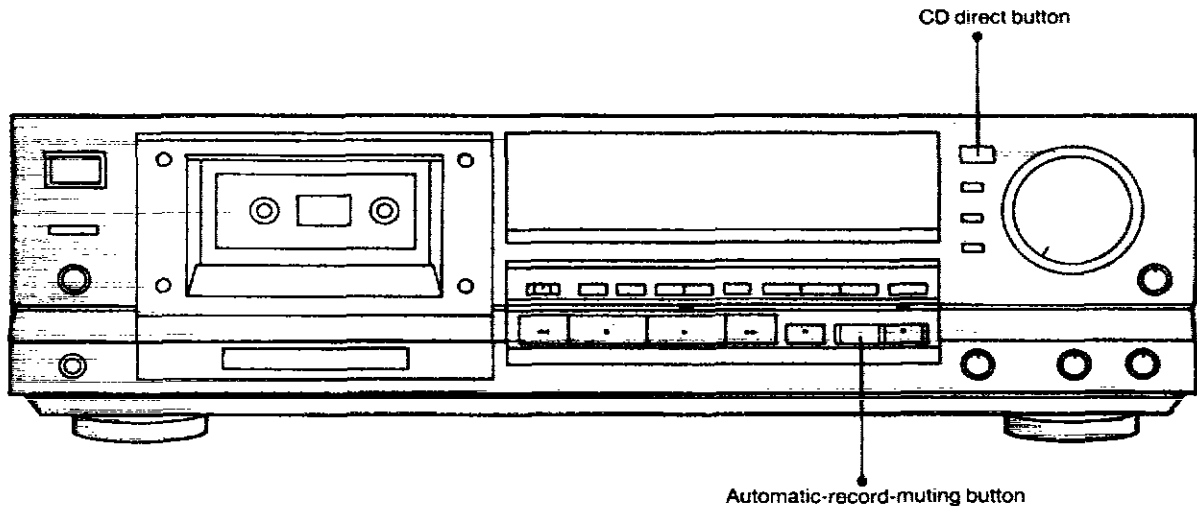
- 1 **Press the memory-stop button.**
(The memory-stop indicator will illuminate.)
- 2 **Press the counter-reset button.**
(The counter will be reset to "0000" and the start point will be set.)
- 3 **Follow steps 5 through 11 in "Recording" to begin the recording.**
(Refer to page 12.)
- 4 **To begin the recording again from the beginning, press the rewind (◀◀) button.**
(The tape will be rewound to the set position where the counter was reset, and the tape will automatically stop.)
- 5 **Begin the recording once again.**
(Follow steps 7, 10~11 in "Recording".)

- ▶To cancel the "memory stop" operation, press the memory-stop button once again.
(The memory-stop indicator will be switched OFF.)

Notes:

- The "memory stop" function can be used while either the tape counter or the linear counter is displayed, but a change from one to the other cannot be made during the "memory stop" mode.
- There may be a slight difference (maximum +4 seconds) between the point where the tape counter was reset and the point where the tape actually stops during rewind.

Recording (continued)



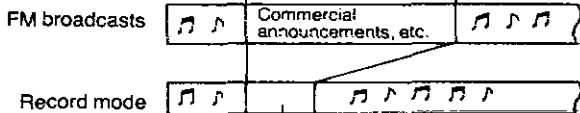
Automatic-record-muting function

By simply pressing the automatic-record-muting button while a recording is being made, a silent (which is necessary for locating the beginning of a tune) can be made.

This feature is also convenient for omitting, during recording, unwanted material such as commercial messages, etc.

During the recording, press the automatic-record-muting button one time.

To resume recording, press the playback button.



This unit will make a silent interval (4 seconds long) between tunes, and then will change to the recording stand-by mode.

■ **To make a silent interval of more than 4 seconds on the tape**
Press the automatic-record-muting button for the necessary number of seconds.
 The unit will change to the recording stand-by mode when the button is released.

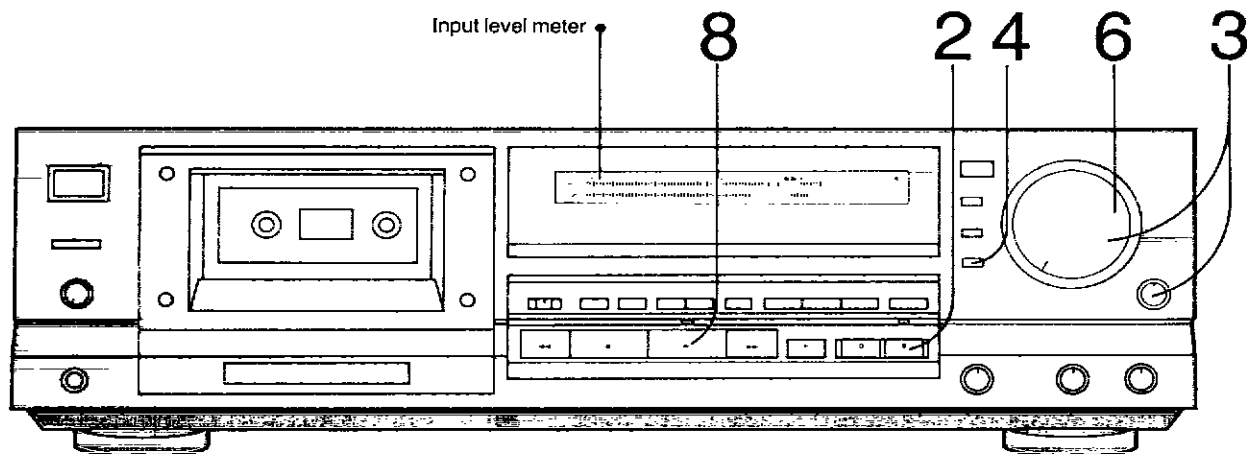
Direct recording from CD player

If the CD player is connected directly to this unit, direct recording can be done without the need to send the line output signals from the CD player through the amplifier. Recordings with an improved signal-to-noise ratio can be made as well.

This comes in handy when the CD player has two sets of line output terminals.

- 1 **Connect the CD player to the CD direct input terminals on the unit.**
(See page 4.)
- 2 **Select the CD direct mode.**
(The CD direct indicator will illuminate.)
- 3 **Follow steps 4 through 11 of the recording procedure (on page 12).**

Recording with High Tone Quality



APRS function

Because the dynamic range of cassette tape is narrower than the dynamic range of a digital source, the recording will be too noisy if the recording level setting is too low, and, conversely, the recorded sound will be distorted if the setting is too high.

It was for this reason that it has always been recommended that the signals to be recorded be first (before recording) input to the cassette deck and the recording level then be set while watching the level meter, but, for former conventional level meter equipped with the peak-hold function, it was necessary to re-adjust and input the signals again if the level setting was too high or too low.

This unit, however, is equipped with the **APRS: Advanced Precise Recording-level System**, which holds and displays the maximum peak of the input signal level, so that once the peak level of the source is held, there is no necessity to re-input the source signals, and the optimum recording level can be set.

•The APRS function can be used only during the recording-standby mode.

1 Prepare for recording as described in steps 1 to 6 of the "Recording" section.
(Refer to page 12.)

2 Press the record button.

(The recording indicator will illuminate and the playback indicator will flash continuously; the unit will be in the recording stand-by mode.)

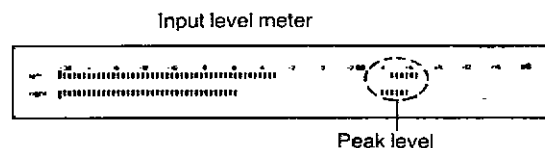
3 Set the recording-level control and the recording-balance control to the suitable position for the sound source.

4 Press the APRS button.

(The APRS indicator will illuminate.)

5 Play the sound source to be recorded, from beginning to end.

[The peak level (the highest level of the input signal) of the sound source will be displayed and held on the input-level meter.]



Note:

The range within which the peak level can be held is -8 dB to -16 dB. Note that the APRS indicator will flash continuously if the peak level of the sound source is input at a level that exceeds the maximum recording level (-16 dB).

If that happens, press the APRS button to cancel the APRS function, and then reset the recording level and set the APRS once again.

6 Using the recording-level control, adjust the peak level to the desired setting.

The peak level will move to the right when the recording-level control is turned to the right, and will move to the left when the recording-level control is turned to the left.

•The recording-balance control cannot be used to adjust the peak level.

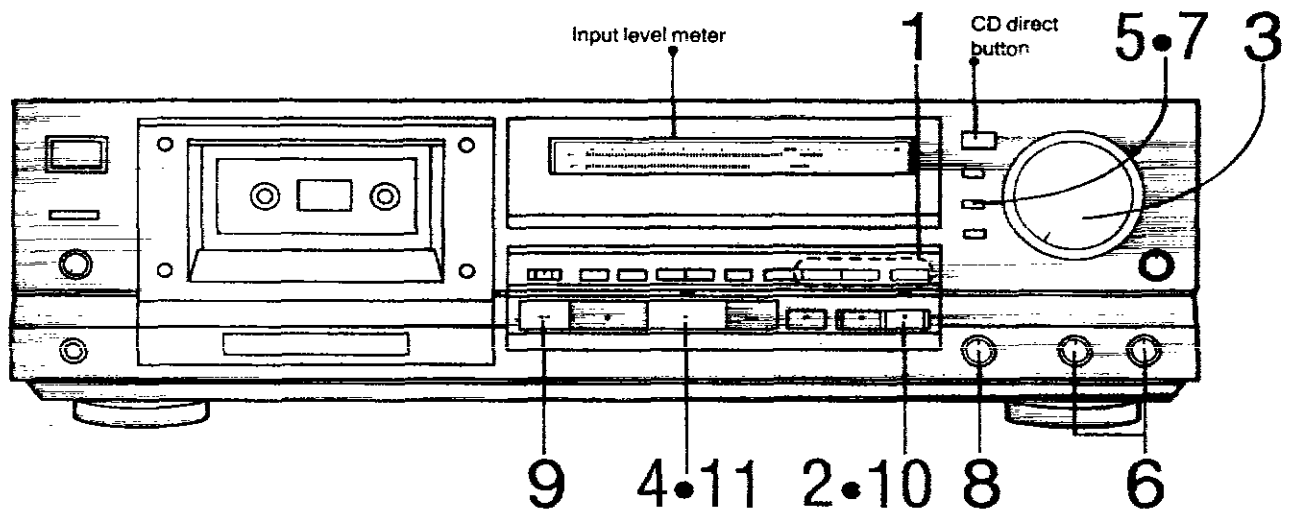
7 Begin playing the sound source from the beginning once again.

8 Press the playback button.

(The playback indicator will illuminate steadily, and the recording will begin.)

The APRS indicator will switch OFF, and the indication of the input-level meter will return to the ordinary peak-hold mode.

Recording with High Tone Quality (continued)



Recording calibration

Depending on the type of tape and the brand used, cassette tapes are characterized by individual variations in sensitivity differences (high and low recording levels) and frequency responses (particularly in the high range). In addition, the recording and playback levels differ when recording is done using a noise reduction system so that the sound quality is sometimes impaired.

To deal with these problems, this unit comes with a calibration function which takes the form of bias adjustment and is based on a test oscillator. The tape's performance can therefore be given full rein by setting the optimum bias value and compensating for the sensitivity in accordance with the recording characteristics of the tape while observing the input level display.

■ Before proceeding with calibration

*Switch to the CD direct mode when recording directly from the CD player.

- 1 Press the button corresponding to the noise-reduction system to be used.**
(The noise-reduction indicator will illuminate.)
If no noise-reduction system is to be used, press the noise-reduction button corresponding to the noise-reduction indicator that is illuminated. (The indicator will then switch OFF.)

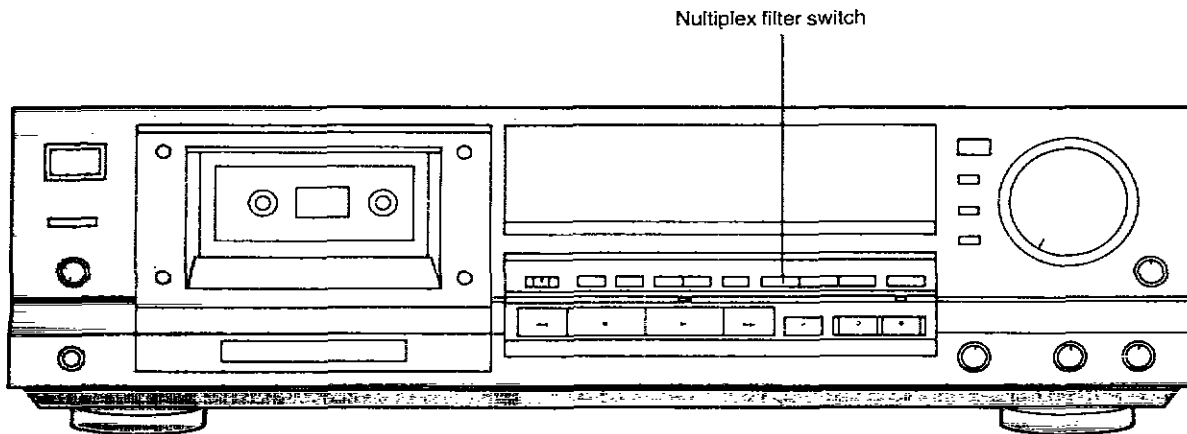
- 2 Press the record button.**
(The recording indicator will illuminate and the playback indicator will flash continuously: the unit will be in the recording stand-by mode.)

- 3 The sound source to be recorded should be played before the recording is started in order to adjust the recording level.**

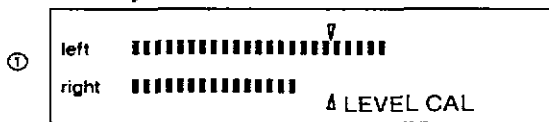
- 4 Press the playback button.**
(The playback indicator will illuminate steadily, and the recording will begin.)

■ Calibration procedure

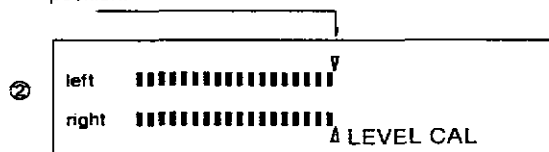
- 5 Press the calibration selector.**
(The input level display switches to the level adjustment indicator. (in figure ① on right))
- 6 Compensate for the difference in the recording levels using the calibration-level control.**
Adjust the left and right recording levels to the indicator arrow position. (in figure ② on right)
- 7 Press the calibration selector again.**
(The level adjustment indicator now switches to the bias adjustment indicator. (in figure ③ on right))
- 8 Compensate for the difference in the high-range sound quality using the calibration-bias control.**
(Adjust the high-range recording level to the low-range recording level. (in figure ④ on right))



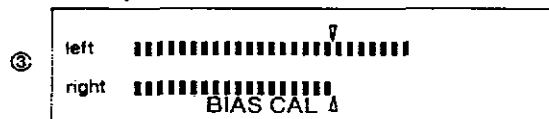
Level adjustment indicator



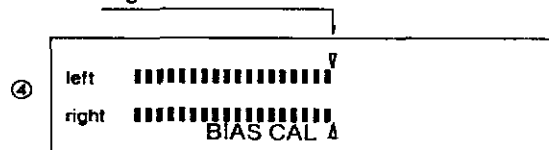
Adjust the left and right recording levels to the arrow position.



Bias adjustment indicator



Adjust the high-range recording level to the low-range recording level.



(The "left" side indicates the recording level of the high frequencies; the "right" side indicates the recording level of the low frequencies.)

Starting the recording

- 9 Return to the original play source, and press the rewind button to rewind the tape.
- 10 Press the record button.
(The recording indicator will illuminate and the playback indicator will flash continuously; the unit will be in the recording stand-by mode.)
- 11 Press the playback button to start the recording, and start playing the source which is to be recorded.

MPX filter

Because the pilot signals*, etc. included with FM stereo broadcast signals are subjected to Dolby noise-reduction processing in the same way as the music signals when an FM stereo broadcast is being recorded, there is apt to be deterioration of the tone quality, and the noise-reduction effect is reduced.

This unit, however, is provided with an MPX filter that filters out the 19 kHz frequency, which is the frequency of the pilot signal. Note that there is virtually no audible effect upon the tone quality as a result of the use of the MPX filter.

This switch can be used during the recording of an FM stereo broadcast that employs Dolby noise reduction so as to prevent misoperation of the Dolby noise reduction. This switch, however, should be switched OFF when a sound source other than the FM broadcast is being recorded, such as for example, a sound source that has a wide frequency range, such as a compact disc, etc.

*Pilot signal

The pilot signal is a signal that is used to separate FM broadcast signals in stereo (left and right channels); this signal is generated on a frequency that is very close to the 19 kHz music band.

Recording with High Tone Quality (continued)

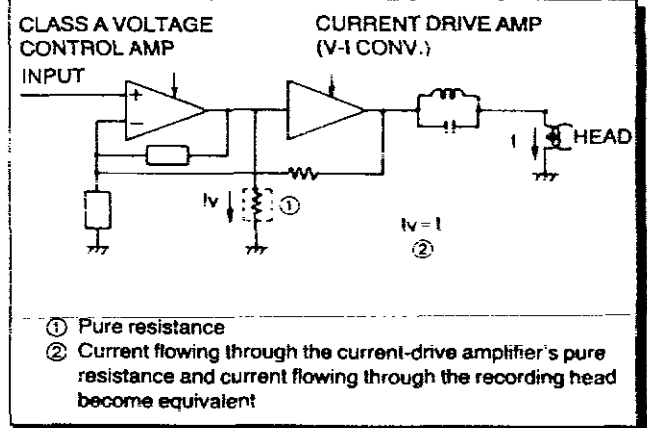
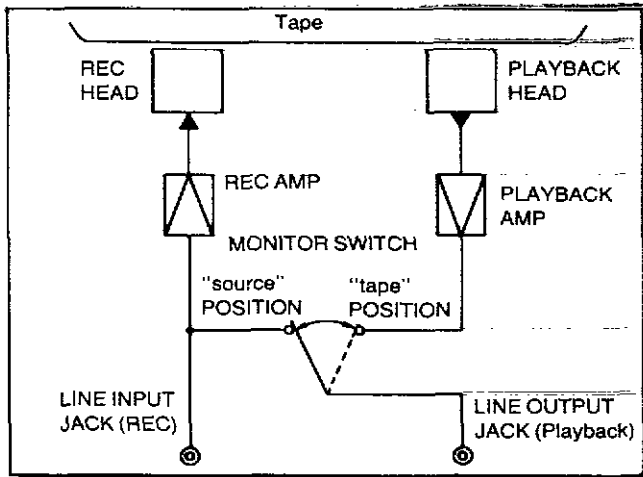
Monitor Switch

This unit is of 3-head type, and the record head is independent of the playback head. Also, the sound before recording can be compared with the recorded sound by use of the monitor switch, therefore the state of recording can be easily checked.

Linear Magne-Field class AA

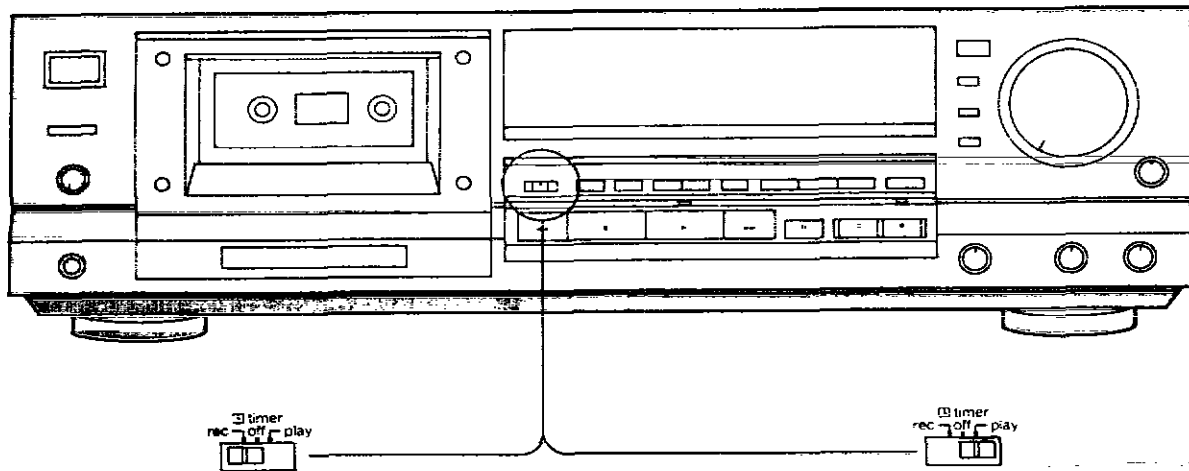
The recording-equalizer amplifier is an amplifier for supplying (to the head) the current necessary for recording. Usually, loads such as the recording head and bias trap circuitry (circuitry for control of the bias current) would be applied to the output of this amplifier, with the result that complex changes of the current phase occur, causing distortion of the recording signal.

The recording-equalizer amplifier used in this unit, however, is a linear magne-field class AA amplifier that is a combination of class A voltage-control amplifier circuitry and current-drive amplifier circuitry. (See the figure below.) As a result, a current flow that is equivalent to the current flowing in the pure resistance of the current-drive amplifier can be supplied to the recording head. Consequently, a magnetic field that corresponds to the input signals is produced at the head and is recorded on the tape, which means that recorded sounds are faithful to the original sound source, without fluctuations of the current phase.



Timer Recording/Playback

If an audio timer (not included) is connected to this unit, recording of a radio broadcast, or tape playback, will automatically begin at the preset time. Timer recording or playback is also possible by using a tuner with timer. Connect the AC power cord of this unit to the power source outlet of the timer. (See the operating instructions of the timer for detailed information.)



Timer recording

- 1 Prepare for recording.**
Follow steps 1 through 9 of "Recording" on page 12. After adjusting the recording level, press the stop button.
- 2 Set the timer to the desired recording-start time.**
(Power "standby \odot /on" switch will be "standby \odot " position.)
- 3 Set the timer switch to the "rec" position.**
(At the set time, the power "standby \odot /on" switch will come on and the broadcast will be recorded.)

■ After setting the timer

Check to be sure that the power "standby \odot /on" switch is set to the "on" position.

Timer playback

- 1 Rewind the tape to the position from which you want playback to begin.**
(Refer to page 10.)
- 2 Set the timer to the desired playback-start time.**
(Power "standby \odot /on" switch will be "standby \odot " position.)
- 3 Set the timer switch to the "play" position.**
(At the set time, power "standby \odot /on" switch will come on and the playback will begin.)

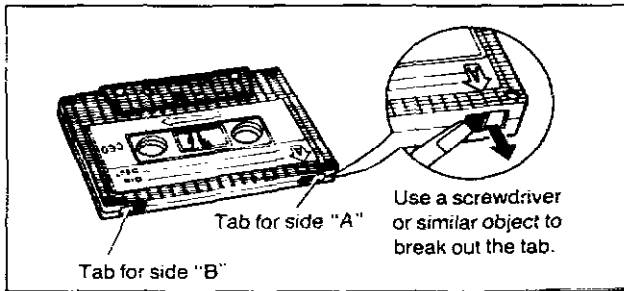
■ After setting the timer

Check to be sure that the power "standby \odot /on" switch is set to the "on" position.

After Recording

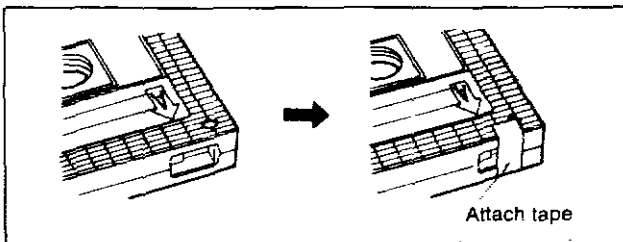
To prevent erasure of recorded sounds

Remove the erase-prevention tabs (thus preventing recording).



■ To re-record on a protected cassette

Block up the hole by adhering a piece of cellophane tape to the area where the safety tab was broken out.



To erase recorded sounds

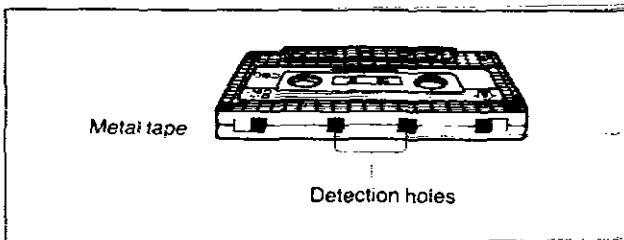
When new recordings are made on a recorded tape, all sounds recorded on that portion of the tape are automatically erased. To erase a tape without making a new recording, follow the steps below.

- 1 Insert the recorded cassette into the cassette holder of tape deck.
- 2 Set the recording-level control to "0".
- 3 Press the noise-reduction button corresponding to the noise-reduction indicator that is illuminated. (This indicator will then switch OFF.)
- 4 Press the record button.
- 5 Press the playback button.

About Cassette Tapes

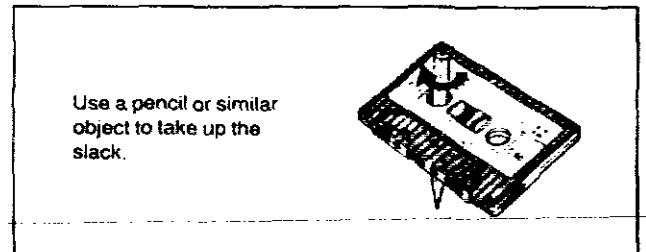
Avoid the following types of tapes

- **120-minute (or longer) tapes**
Because this tape is very thin, it might stretch during use, become tangled with rotating parts in this unit, and/or tape movement might not be stable.
- **Fe-Cr tape (TYPE III)**
The high range will be emphasized and a flat frequency response characteristic cannot be obtained.
- **Metal tape without detection holes in the cassette**
Recordings will be very distorted. (There is no playback problem, however.)



Notes about the handling of cassettes

If the tape in the cassette is loose, the tape can easily break during use or otherwise be damaged.
Never touch the tape itself, or attempt to pull it out of the cassette.



Avoid tape storage in the following places

Tape can be damaged if it is stored in places such as described below.

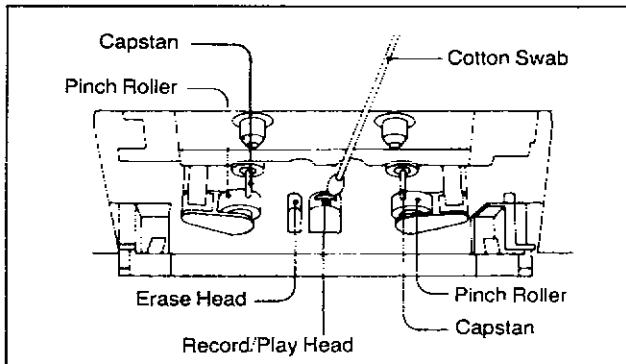
- Where the temperature is high (95°F/35°C or higher) or where the humidity is high (80% or higher).
- Where there is a strong magnetic field (near a speaker, on top of a TV, etc.).
- In direct sunlight.

Maintenance

Head care

To assure good sound quality for recording and playback, be sure to clean the heads after approximately every 10 hours of use.

- 1) Press the open/close button.
 - 2) Press the power "standby (⏻)/on" switch to turn the unit off.
 - 3) Clean the heads, pinch roller and the capstan shaft with a cotton swab (or with a soft, lint-free cloth) slightly moistened with alcohol.
- Do not use any solution other than alcohol for head cleaning.



Head demagnetization

In order to maintain good sound quality during recording and playback, it is recommended that the heads should be demagnetized if distortion or poor sound quality persist after cleaning the heads.

If the heads become magnetized, they could create noise in recordings, loss of high-frequency response, or erasure of valuable recordings. Several types of head demagnetizers are available and may be purchased at local electronics supply stores. Follow the instructions that are supplied with the device.

- Do not bring any type of metal objects or tools such as magnetic screwdrivers in contact with the head assembly.

Maintenance of external surfaces

To clean this unit, use a soft, dry cloth. For very dirty surfaces, dip a soft cloth in a weak soap-and-water solution and wring well. After cleaning, wipe with a soft, dry cloth. Never use alcohol, paint thinner, benzene, or a chemically treated cloth to clean this unit. Such chemicals may damage the unit's finish.

Technical Specifications

■ CASSETTE DECK SECTION

Deck system	Stereo cassette deck
Track system	4-track, 2-channel
Heads	
Record	Permalloy head×1
Playback	Permalloy head×1
Erasure	Double-gap ferrite head×1
Motors	
Capstan drive	Quartz DD motor
Reel table drive	DC motor
Cassette holder open/close	DC motor
Recording system	AC bias
Bias frequency	80 kHz
Erasing system	AC erase
Tape speed	4.8 cm/sec (1 7/8 ips)
Frequency response	
NORMAL	20 Hz~18 kHz (±3 dB) 20 Hz~19 kHz (DIN)
CrO₂	20 Hz~19 kHz (±3 dB) 20 Hz~20 kHz (DIN)
METAL	20 Hz~20 kHz (±3 dB) 20 Hz~21 kHz (DIN)
S/N (signal level=max recording level, CrO ₂ type tape)	
dbx on	92 dB (A weighted)
Dolby C NR on	74 dB (CCIR)
Dolby B NR on	66 dB (CCIR)
Dolby NR off	57 dB (A weighted)

Wow and flutter 0.03% (WRMS)
±0.09% (DIN)

Fast forward and rewind times
Approx. 100 seconds with C-60 cassette tape

Input sensitivity and impedance

LINE IN	60 mV/47 kΩ
CD DIRECT IN	240 mV/47 kΩ

Output voltage and impedance

LINE OUT	400 mV/1 kΩ
HEADPHONES	125 mV/8Ω (8Ω~600Ω)

■ GENERAL

Power consumption 26 W

Power supply

For United Kingdom, Australia and New Zealand	AC 50 Hz/60 Hz, 240 V
For continental Europe	AC 50 Hz/60 Hz, 220 V
For others	AC 50 Hz/60 Hz, 110 V/127 V/220 V/240 V

Dimensions (W×H×D) 430×135×290 mm
(16 15/16"×5 1/8"×11 13/32")

Weight 6.4 kg (14.1 lb.)

Note:
Specifications are subject to change without notice.
Weight and dimensions are approximate.

Troubleshooting Guide

Before requesting service for this unit, check the chart below for a possible cause of the problem you are experiencing. Some simple checks or a minor adjustment on your part may eliminate the problem and restore proper operation. If you are in doubt about some of the check points, or if the remedies indicated in the chart do not solve the problem, refer to the directory of Authorized Service Centers (enclosed with this unit) to locate a convenient service center, or consult your Technics dealer for instructions.

Problem	Probable cause(s)	Suggested remedy
While using the tape deck		
Tape moves but no sound is heard.	The volume control of the amplifier is set to its minimum position.	•Adjust the volume control to the desired level.
	The input selector of the amplifier is not set the "tape" position.	•Set to the "tape" position.
	"LINE IN" and "LINE OUT" stereo connection cables have been connected in reverse.	•Connect them properly.
Distorted sound.	The recording level is too high.	•Select the appropriate recording level.
Previously recorded sound has not been erased.	Erase head is dirty.	•Clean the head.
Sound output is hoarse or unsteady.	Heads are dirty.	•Clean the heads.
	Tape is damaged.	•Try operation with a new cassette; if there is no problem with the new cassette, discard the damaged cassette.
Poor sound quality (especially in the high treble and low bass ranges).	The correct noise-reduction button is not set.	•Set it to the correct position.
Sound is low, poor tone, intermittent sound, noise.	Heads, capstan and/or pinch roller are dirty or tape is damaged.	•Clean the heads, capstan and/or pinch roller, or try a new cassette.
Recording is not possible.	The recording level control is at the "0" position.	•Select the appropriate recording level.
	No safety tab on cassette tape.	•Block up the hole by adhering a piece of cellophane tape to the area where the safety tab was broken out.